



The VOF Series Threaded Poppet Couplers provide high resistance to pressure impulses in a compact design. The VOF's internal parts are designed to reduce turbulence and pressure drop, and its poppet valve with elastomer seal provides maximum sealing of the couplings when disconnected. A wrench flat on the bodies facilitates the fitting assembly, and the retainer is high resistance carbon steel.



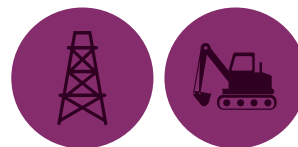
Protective Caps & Plugs – page 115

FEATURES

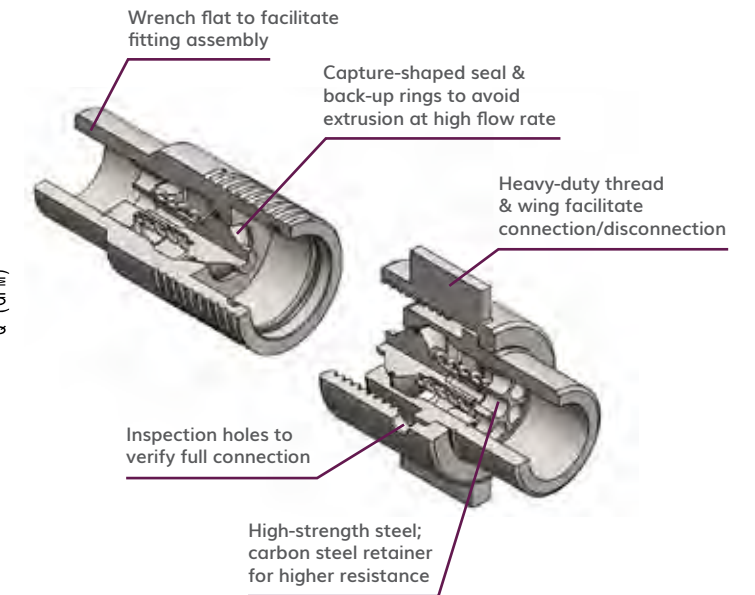
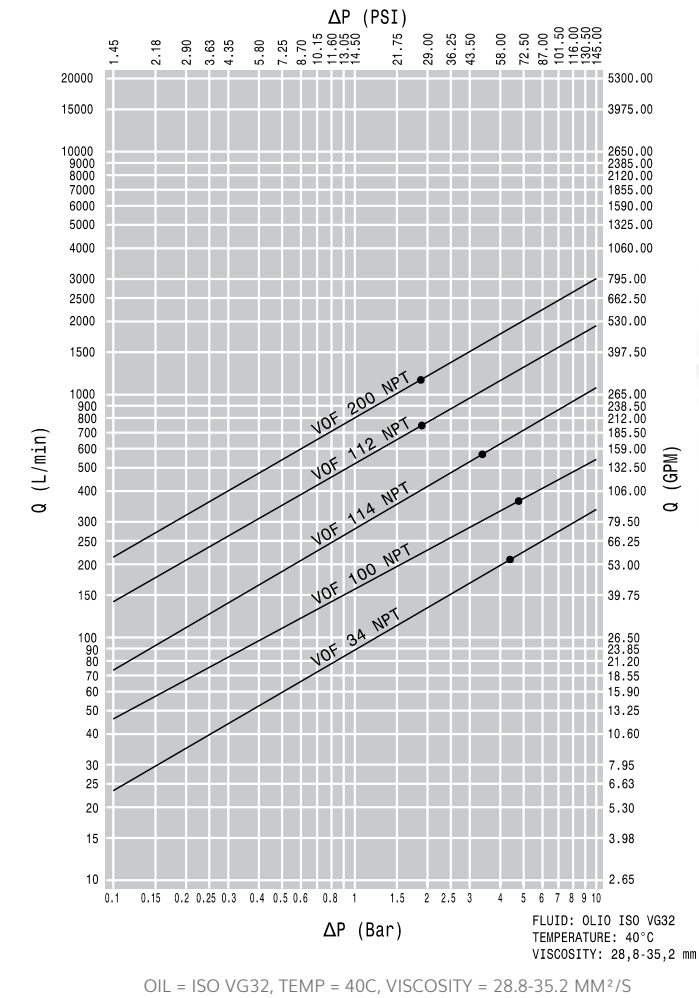
- Size range: 3/4" thru 2"
- Port options: NPT
- Interchanges with Hydraulics Inc 5TV, Snap-Tite 75, Dixon WS, Faster OGV
- Connection under residual pressure is allowed on one side
- Positive-stop valving prevents flow checking
- Large-diameter steel sleeves resist deformation for maximum life
- Inspection hole to visually confirm complete connection

APPLICATIONS

- Excavators w/ auxiliary line for attachments: piling hammers and augers
- Oil & gas applications needing high resistance to pressure impulses, such as BOPs and top drives
- Suitable for open- or closed-center hydraulic systems



PRESSURE DROP



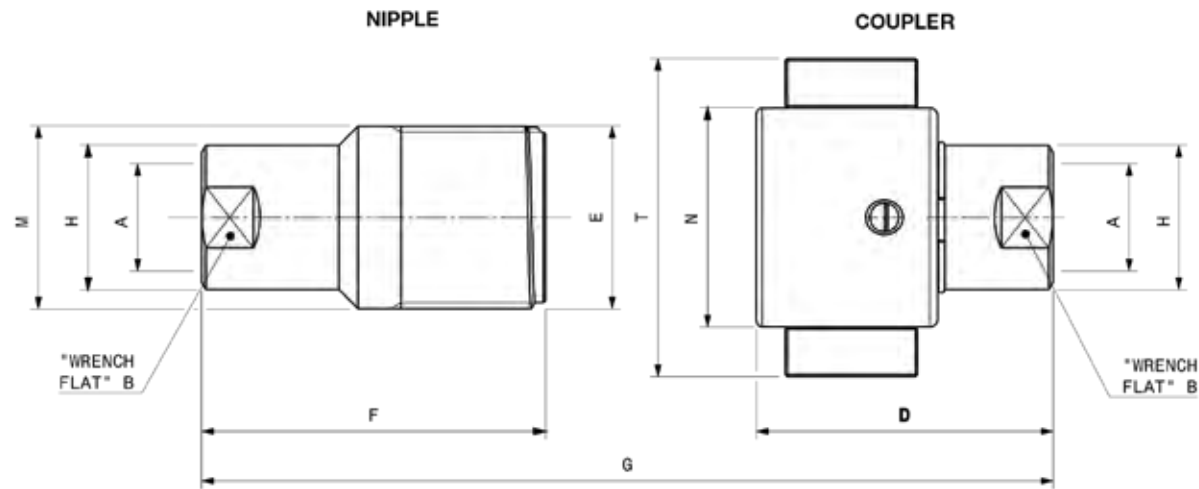
PERFORMANCE

DESCRIPTION	SIZE	MAX. OPERATING PRESSURE COUPLED		COUPLED		BURST PRESSURE		FEMALE	SPILLAGE*	
		MPa	psi	MPa	psi	MALE	psi			
VOF 34	3/4	34.5	5000	137.9	20000	137.9	20000	100	14500	11.5
VOF 100	1	34.5	5000	137.9	20000	137.9	20000	100	14500	21.2
VOF 114	1 1/4	34.5	5000	137.9	20000	137.9	20000	100	14500	42.3
VOF 112	1 1/2	34.5	5000	137.9	20000	137.9	20000	82.8	12000	86.5
VOF 200	2	34.5	5000	137.9	14500	90	13050	75.9	11000	166

* Spillage is an indicative value of the fluid loss per couple-uncouple cycle.



SIZE DIAGRAM

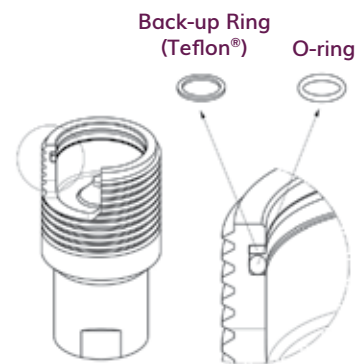


DESCRIPTION	BODY SIZE	A	UNIT	B	F	G	D	T	N	M	H	UNIT	WEIGHT	
													NIPPLE	COUPLER
VOF 34	3/4	3/4	mm	31.75	83.2	123.6	71.8	77	53	44.3	35	kg	0.477	0.61
			inch	1 1/4	3.28	4.87	2.83	3.03	2.09	1.74	1.38	lbs	1.052	1.345
VOF 100	1	1	mm	41.28	105.8	152.9	87.3	105	69	57.15	45	kg	1.189	1.375
			inch	1 5/8	4.17	6.02	3.44	4.13	2.72	2.25	1.77	lbs	2.621	3.031
VOF 114	1 1/4	1 1/4	mm	50.8	136.7	197.9	112.4	116	80	66.67	54.5	kg	1.951	2.273
			inch	2	5.38	7.79	4.43	4.57	3.15	2.62	2.15	lbs	4.301	5.011
VOF 112	1 1/2	1 1/2	mm	57.15	151.2	220.3	126.9	145	95	82.55	63.5	kg	3.223	3.841
			inch	2 1/4	5.95	8.67	5	5.71	3.74	3.25	2.5	lbs	7.105	8.468
VOF 200	2	2	mm	76.2	179	255.2	154.2	182.5	122.5	101.6	82.6	kg	6.042	8.103
			inch	3	7.05	10.05	6.07	7.19	4.82	4.00	3.25	lbs	13.32	17.864

Spare Kit Seal for Nipple

BODY SIZE	DESCRIPTION	ORDER CODE
3/4	VOF 34 KIT	8155700956
1	VOF 100 KIT	8155700958
1 1/4	VOF 114 KIT	8155700960
1 1/2	VOF 112 KIT	8155701122
2	VOF 200 KIT	8155700964

O-ring in Nitrile
Back-up in Teflon®



VOF Interchange NPT Thread Threaded Poppet

PART	BODY SIZE	PORT SIZE	THREAD TYPE	ORDER CODE	DESCRIPTION
VOF NPT THREAD					
NIPPLE	3/4	3/4	NPT	811201002	M. VOF 34 NPT
COUPLER	3/4	3/4	NPT	811201003	F. VOF 34 NPT
NIPPLE	1	1	NPT	811201000	M. VOF 100 NPT
COUPLER	1	1	NPT	811201001	F. VOF 100 NPT
NIPPLE	1 1/4	1 1/4	NPT	811201004	M. VOF 114 NPT
COUPLER	1 1/4	1 1/4	NPT	811201005	F. VOF 114 NPT
NIPPLE	1 1/2	1 1/2	NPT	811201006	M. VOF 112 NPT
COUPLER	1 1/2	1 1/2	NPT	811201007	F. VOF 112 NPT
NIPPLE	2	2	NPT	811201008	M. VOF 200 NPT
COUPLER	2	2	NPT	811201009	F. VOF 200 NPT

VOF Series Accessories Protective Caps and Plugs

BODY SIZE	ORDER CODE		MATERIAL / COLOR
	PLUG FOR COUPLER	CAP FOR NIPPLE	
3/4	815405013	815405012	ALUMINUM / NATURAL
1	815405011	815405010	ALUMINUM / NATURAL
1 1/4	815405015	815405014	ALUMINUM / NATURAL
1 1/2	815405017	815405016	ALUMINUM / NATURAL
2	815405019	815405018	ALUMINUM / NATURAL

Protective caps, which can increase the product life, are always recommended to protect the couplings from damage and dirt. This is particularly important in oil & gas and mobile applications, where exposure to weather and aggregate materials are common. The protective caps for VOF couplings are manufactured in aluminum (natural color).

